



ARIASERIES

VINYL WINDOWS & DOORS

NON-IMPACT RESISTANT
REPLACEMENT & NEW CONSTRUCTION



ARIASERIES

Custom[®]
WINDOW SYSTEMS 

1.800.327.3086 • www.CWS.cc



**HIGH QUALITY, ENERGY EFFICIENT
WINDOWS AND DOORS**

We have earned our reputation by manufacturing the highest quality windows and doors since 1986.

We feel that products, and more importantly, the people behind those products are an integral part of our company.

Superior Quality is built in at every level of the process, from Customized Service to Engineering to Service After the Sale.

Our Mission is to continue providing high quality products to families across America so that they can feel safe and secure knowing that their home is protected by a trusted name.





ENVIRONMENTALLY SENSITIVE

USE LESS ENERGY AND CREATE LESS WASTE.

Vinyl can be reused and recycled repeatedly throughout its' long life cycle. Scrap created during our manufacturing process can be recycled into many other vinyl products, reducing the strain on the environment. More than 99% of all manufactured vinyl compound ends up in a finished product, due to recycling. The use of vinyl saves more than 40 million barrels of oil per year compared to other alternatives.* ▶

*Vinyl Institute



WE LEAVE A BIG IMPRESSION WITH A SMALL FOOTPRINT

Nearly all of our glass scrap is captured and recycled, ensuring that our footprint on the environment remains small.

Low-E coatings are composed of a microscopic metallic layer applied to the glass. Custom applies the Low-E on the outer pane of glass (which is optimal for windows in a hot climate), which minimizes heat gain and reflects heat back outside. Low-E glass is much more energy-efficient than clear uncoated glass and helps keep your home cooler while using less fossil fuel and protecting the environment.

WHAT IS ARGON GAS?

Argon is a colorless, odorless, and nontoxic gas. It is inert and heavier than air. When filled in the insulating glass space, it forms a clear insulating barrier that assists in slowing the transfer of heat or cold. Custom puts argon gas in every Aria product we produce as a standard feature, providing an extra insulating layer in the glass system.





CHOOSE VINYL WINDOWS

ENERGY EFFICIENT WITH VALUE

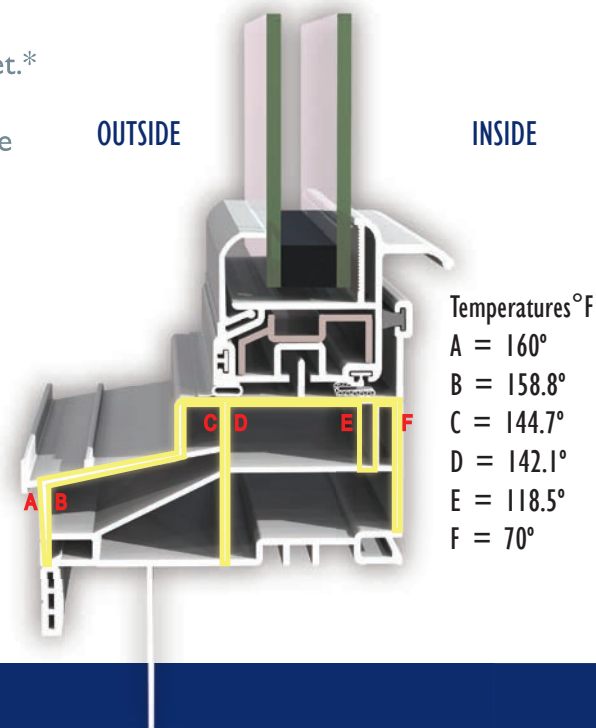
Vinyl windows are widely accepted and account for 68% of the entire residential window market.*

Vinyl, as a building material, has revolutionized the building industry because it offers remarkable versatility. It can be flexible, yet rigid, and produced in a wide variety of colors and styles.

According to the 2014 Cost vs. Value Report by Remodeling Magazine, the value that replacing your old windows with new vinyl replacement windows retains at resale of your home in Florida is 85.8% vs. the national average of 77.7%.

*2012 AAMA/WDMA U.S. Industry Market Studies

While outside surface temperature changes, the inside stays at room temperature, and because vinyl is a good insulator, there is minimum expansion and contraction. The multi-chambered vinyl product frames are designed to trap air, known to provide optimal insulating characteristics against heat transfer year-round.



WHY VINYL?

The popularity of vinyl is due largely to energy efficiency. Vinyl is an effective thermal insulator and is well recognized as an excellent frame material for energy efficient windows. The National Fenestration Rating Council (NFRC) and the Department of Energy (DOE), have developed rating systems for measuring how energy efficient a window is.

One of the important NFRC tests is the U-Value of the window which measures the window's resistance to heat flow. The lower the U-Value, the greater the insulating value of the window. Another critical NFRC test measures the Solar Heat Gain Coefficient (SHGC). This measures how well a window blocks heat caused by sunlight. The lower the number, the less of the sun's solar heat transmits through the window into the home.

Our windows meet or exceed the stringent requirements of Energy Star® for u-value and SHGC.



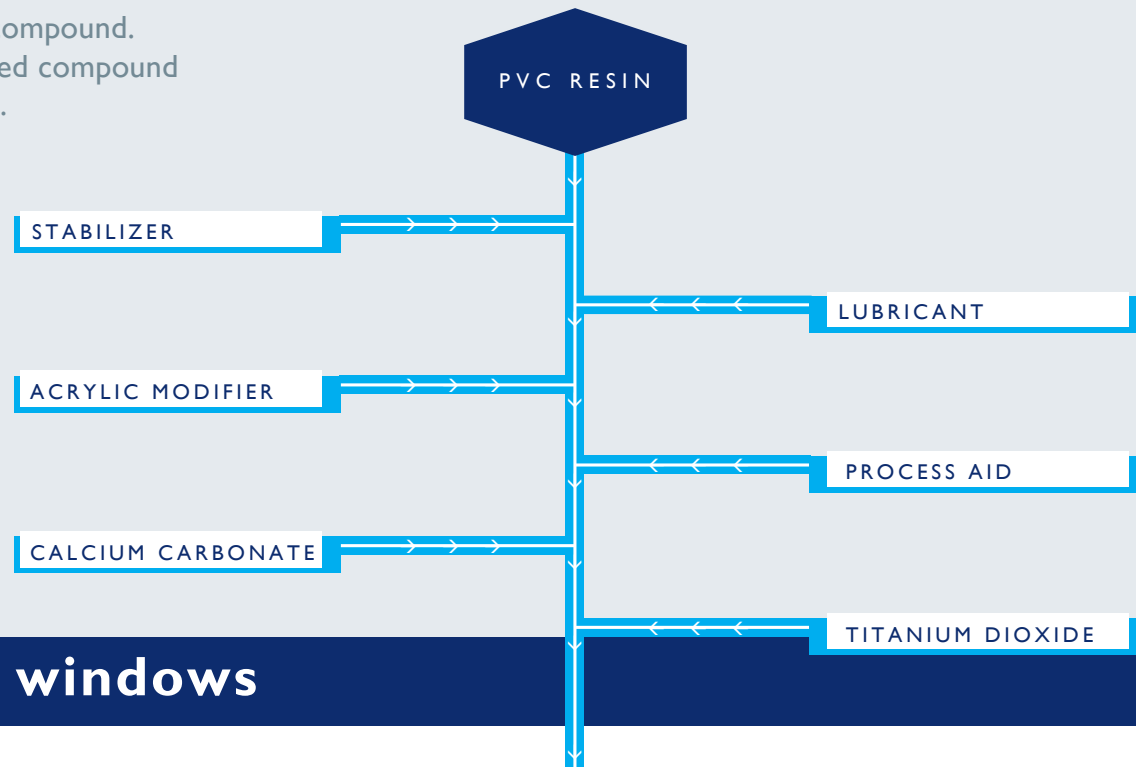
What Makes Vinyl (PVC) Perform So Well in Coastal and Tropical Climates?

Vinyl windows are made from PVC (Poly-Vinyl-Chloride) compound. Many technological advances have been made to the blended compound to ensure the durability and performance of vinyl windows.

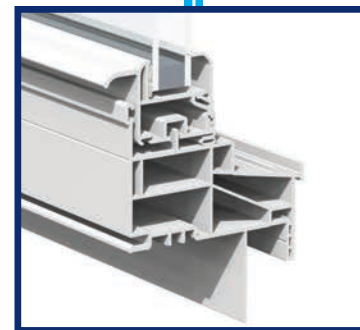
The multi-chambered vinyl product frames are designed to trap air, known to provide optimal insulating characteristics against heat transfer year round.

Weathering and Color Retention

Over time colors can change or fade. Custom Windows' vinyl formulation technology minimizes color change over time, utilizing several key components such as Titanium Dioxide (TiO₂), which is the major component in sunscreen.



It's like sunscreen for your windows



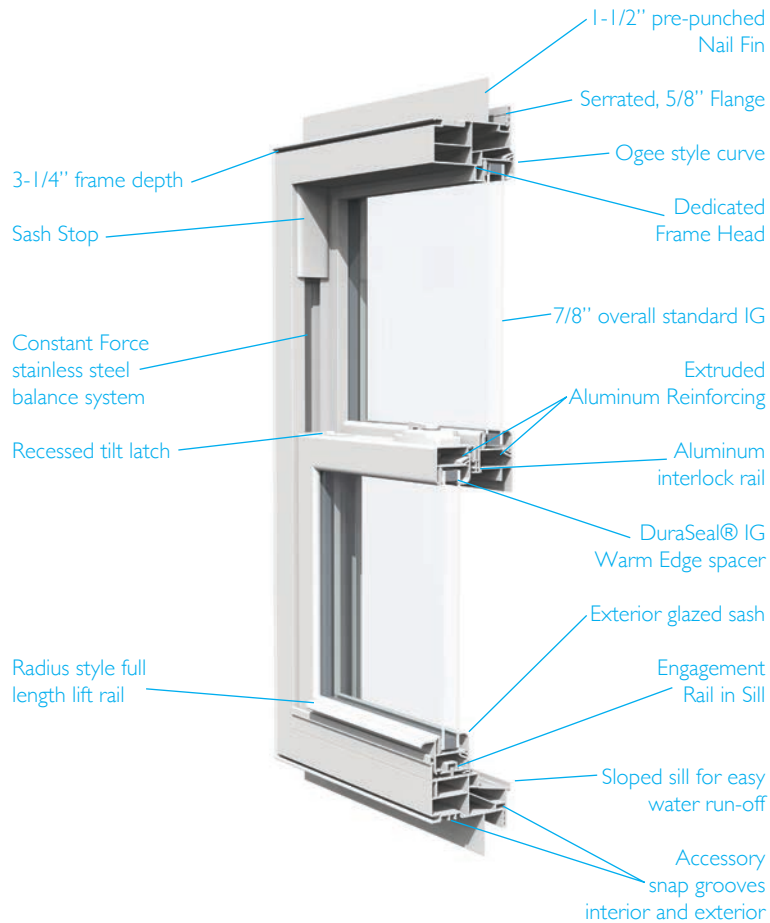
PVC resin and other micro ingredients are blended together to form PVC compound, which is used to produce our energy efficient windows.



VINYL SINGLE HUNG WINDOWS

PRODIGIOUS ALLURE.

Our non-impact, 610 series Single Hung tilt-in windows offer a perfect solution for inland applications, while providing beauty to your home, as well as performance to last a lifetime. Choose from our standard single hung design or our Oriel or Arch Top design for added flair. Include stylish grids, along with energy efficient Low-E glass to complete your look. ▶



VINYL WINDOWS

610 Series Single Hung

New Construction and Replacement

- Tilt Sash for easy cleaning
- 615 Series Picture Window to complement the 610 Single Hung

610N Series

Available Frame Types:

- Heavy-duty Cam Lock
- 1-1/2" pre-punched Nail Fin
- 5/8" serrated, double walled Front Flange
- Fin/Flange combo

610R Series

Available Frame Types:

- Dual-action, automatic, self-locking sash locks
- 5/8" serrated, double walled Front Flange
- Box Frame



610N Series Cam Lock



610R Series Auto Self-Locking Sash Locks

Configurations:



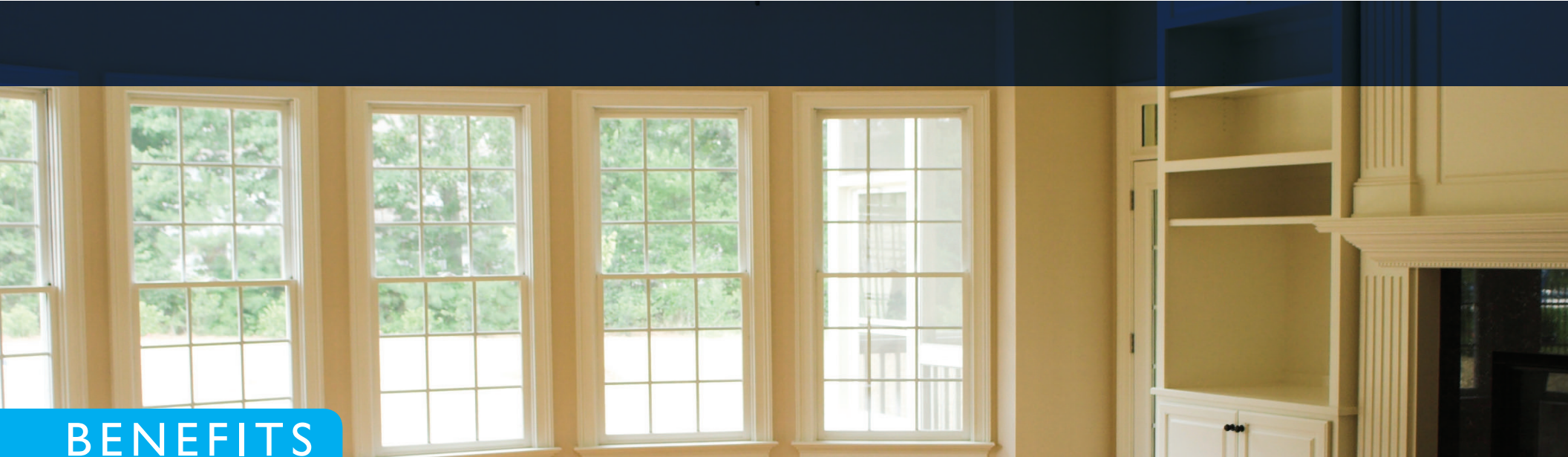
Single Hung & Single Hung Oriel



Arch Top Single Hung



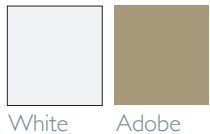
615 Series Picture Window



BENEFITS

- ✓ **Meets or exceeds all Energy Star® standards**
- ✓ **Available with Low-E glass (270, 240, 366)**
 - 7/8" insulated glass with argon gas for ultraviolet and thermal protection
 - Double-strength glass standard
- ✓ **Energy efficient non-metallic spacer system**
 - Excellent thermal performance and energy efficiency
 - Keeps windows clearer longer
- ✓ **Constant Force stainless steel coil balance system**
 - Permits easy and quiet sash operation
- ✓ **Recessed tilt latches**
 - Allow you to easily tilt sash in for cleaning and provide for a cleaner sightline
- ✓ **Durability and Resistance from the elements**
 - Fusion-welded construction without fasteners for structural stability
 - Heavy-duty, dual fin weather-stripping at all points, where vinyl meets vinyl, protects against the elements
- ✓ **Extruded BetterVue® Half Screen Standard**
 - Optional roll form screen available
 - 10% better insect protection—20% better airflow—10% clearer view
 - BetterVue® screen will not rust, corrode or stain.

Frame Colors:



White Adobe

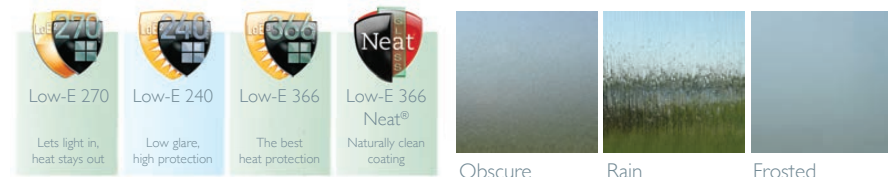
Grid Options:



3/4" SDL 5/8" Flat 3/4" Contour 1" Contour

Simulated Divided Lites (SDL)—Exterior Only Applied
Double Applied (Interior and Exterior Applied)

Glass Colors and Finishes:



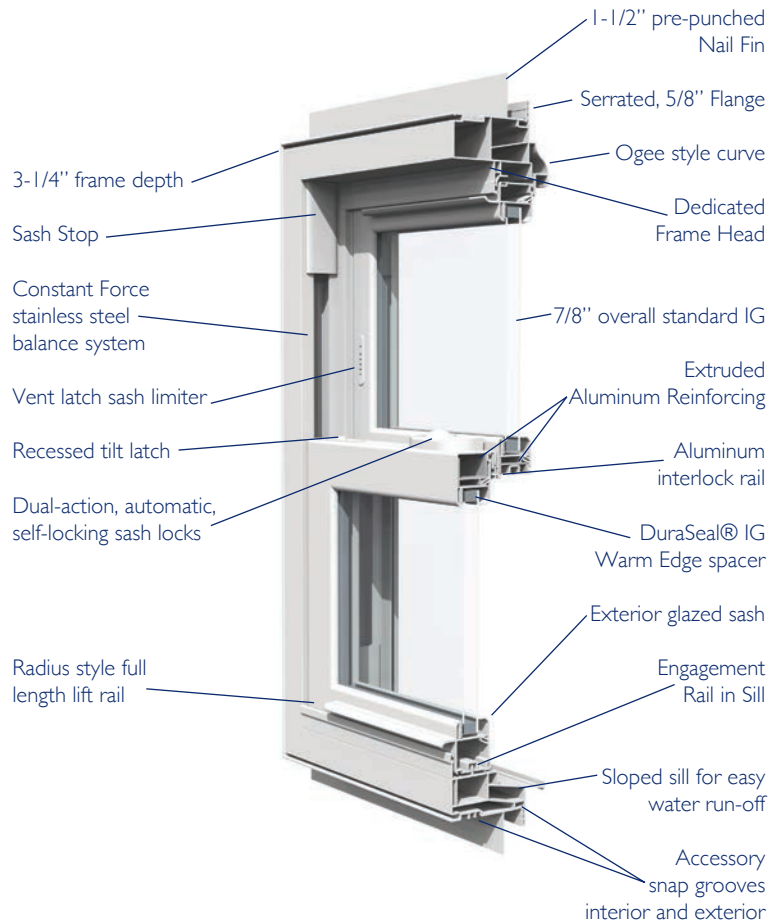
Also available:
Clear, Bronze, Light Gray, Sun, Azurelite Blue



VINYL DOUBLE HUNG WINDOWS

DUAL FLAIR.

Our non-impact, 650 series Double Hung windows offer tilt-in options for both sash, allowing easy cleaning from inside along with dual sliding options. This window is offered with a constant force, stainless steel balance system allowing you to slide your window effortlessly. ▶



VINYL WINDOWS

650 Series Double Hung New Construction and Replacement

- Dual-action, automatic, self-locking sash locks ▶
- Both sash tilt for easy cleaning
- 655 Series Picture Window to complement the 650 Double Hung



Automatic Self-Locking Sash Locks

650N Series Available Frame Types:

- 1-1/2" pre-punched Nail Fin
- 5/8" serrated, double walled Front Flange
- Fin/Flange combo

650R Series Available Frame Types:

- 5/8" serrated, double walled Front Flange
- Box Frame

Configurations:



Double Hung & Double Hung Oriel



655 Series Picture Window



BENEFITS

- ✓ **Meets or exceeds all Energy Star® standards**
- ✓ **Available with Low-E glass (270, 240, 366)**
 - 7/8" insulated glass with argon gas for ultraviolet and thermal protection
 - Double-strength glass standard
- ✓ **Energy efficient non-metallic spacer system**
 - Excellent thermal performance and energy efficiency
 - Keeps windows clearer longer
- ✓ **Constant Force stainless steel coil balance system**
 - Permits easy and quiet operation
- ✓ **Recessed tilt latches**
 - Allow you to easily tilt sash in for cleaning and provide for a cleaner sightline
- ✓ **Durability and Resistance from the elements**
 - Fusion-welded construction without fasteners for structural stability
 - Heavy-duty, dual fin weather-stripping at all points where vinyl meets vinyl protects against the elements
- ✓ **Rugged BetterVue® Half Screen Standard (Full Available)**
 - Optional roll form screen available
 - 10% better insect protection—20% better airflow—10% clearer view
 - BetterVue® screen will not rust, corrode or stain.

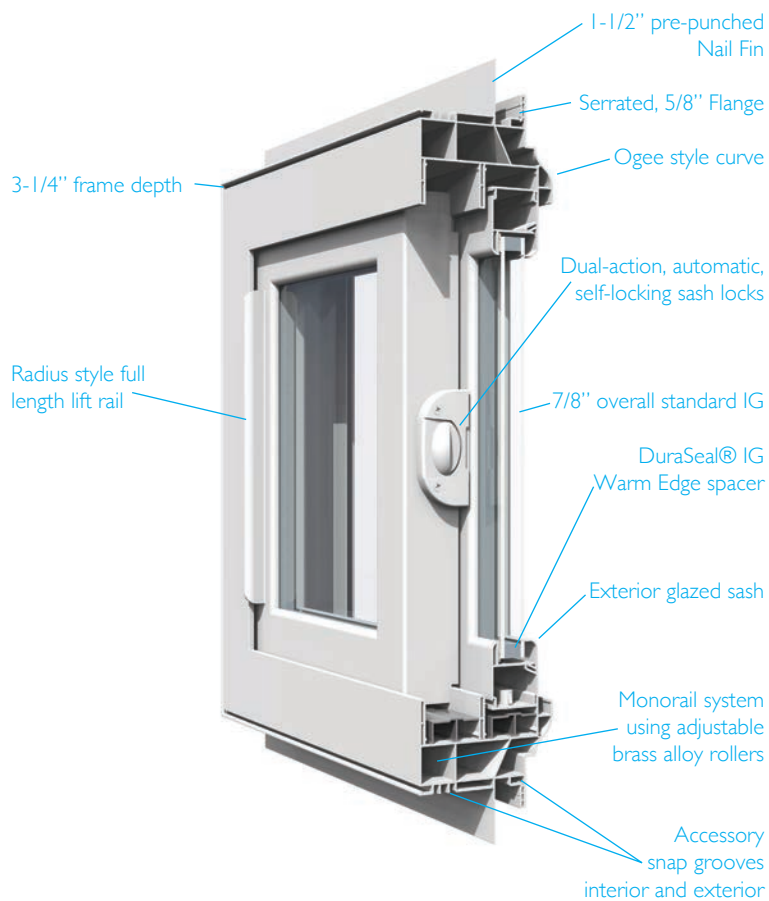
See page 9 to view options (frame colors, grids, glass finishes and glass colors)



VINYL HORIZONTAL SLIDERS

ENDLESS PERFORMANCE.

Our non-impact, 620 series Horizontal Sliding windows are offered with a monorail system using adjustable brass alloy, needle bearing rollers allowing you to slide your window with ease. Choose from several configurations, including our OX, XO, XX or XOX. **Top off your design with a classy standard or architectural picture window for curb appeal.** ▶



VINYL WINDOWS

620 Series Horizontal Slider New Construction and Replacement

- Dual-action, automatic, self-locking sash locks
- 655 Series Picture Window to complement the 620 Horizontal Slider



Automatic Self-Locking Sash Locks

620N Series

Available Frame Types:

- 1-1/2" pre-punched Nail Fin
- 5/8" serrated, double walled Front Flange
- Fin/Flange combo

620R Series

Available Frame Types:

- 5/8" serrated, double walled Front Flange
- Box Frame
- Dual, spring-loaded night vent latches

Configurations:



Horizontal Slider (OX, XO, XX)



Slide-Picture-Slide (XOX)



655 Series Picture Window





BENEFITS

- ✓ **Meets or exceeds all Energy Star® standards**
- ✓ **Available with Low-E glass (270, 240, 366)**
 - 7/8" insulated glass with argon gas for ultraviolet and thermal protection
 - Double-strength glass standard
- ✓ **Energy efficient non-metallic spacer system**
 - Excellent thermal performance and energy efficiency
 - Keeps windows clearer longer
- ✓ **Monorail system**
 - Utilizing adjustable, twin tandem, brass alloy needle bearing rollers permits easy operation
- ✓ **Recessed tilt latches**
 - Allow you to easily tilt sash in for cleaning and provide for a cleaner sightline
- ✓ **Durability and Resistance from the elements**
 - Fusion-welded construction without fasteners for structural stability
 - Heavy-duty, dual fin weather-stripping at all points where vinyl meets vinyl protects against the elements
- ✓ **Rugged BetterVue® Half Screen Standard (Full Available)**
 - Optional roll form screen available
 - 10% better insect protection—20% better airflow—10% clearer view
 - BetterVue® screen will not rust, corrode or stain.

See page 9 to view options (frame colors, grids, glass finishes and glass colors)



VINYL DOORS

DESIGNED TO LAST A LIFETIME PROVIDING YOU WITH PROTECTION AND BEAUTY.

Our vinyl sliding glass doors are high-impact and high-performance, combining the perfect balance of superior craftsmanship and aesthetic appeal. Our vinyl sliding glass doors are constructed to provide large unobstructed views.



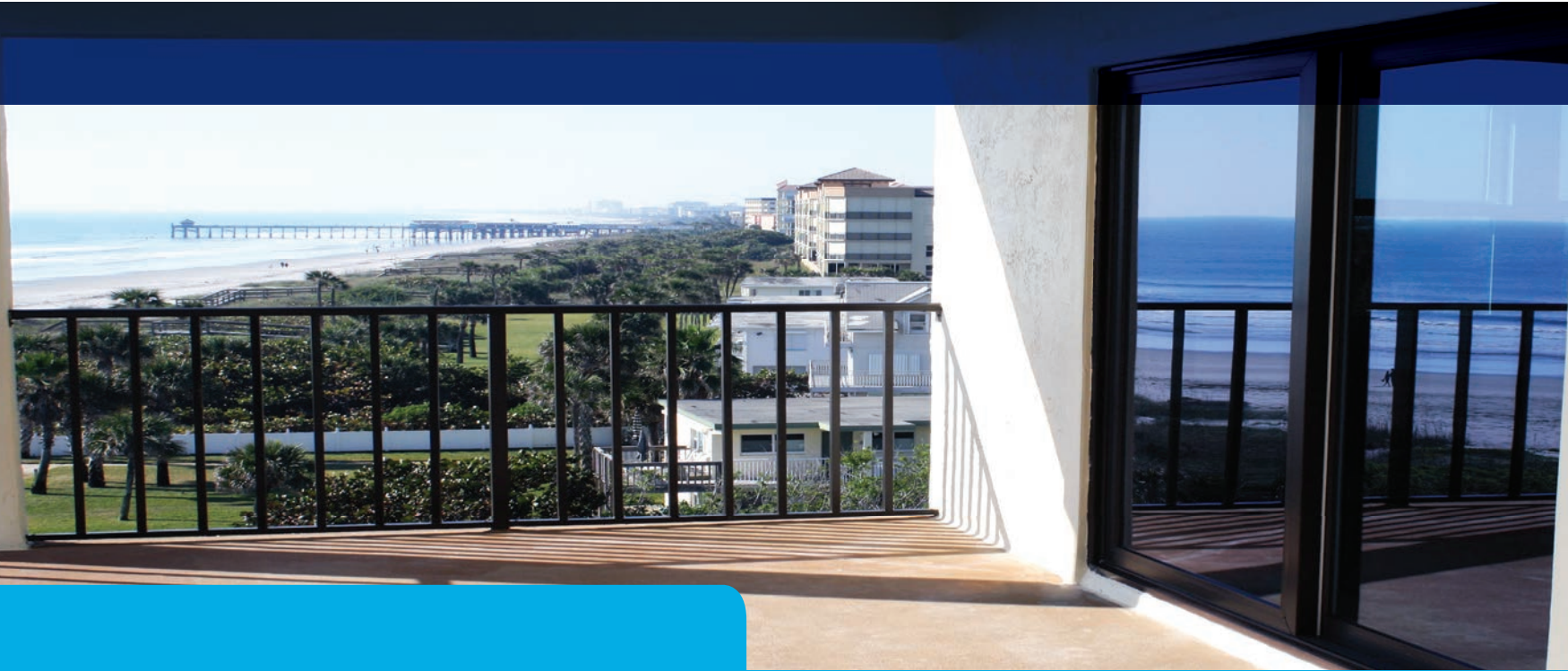
VINYL DOORS

8900 SLIDING GLASS DOOR

- Constructed with weather resistant vinyl frame, panel and interlock
- Configurations: XO, OX, OXO, OXXO, OOX, XOO
- Screen Track: Outside
- Design pressures up to +/- 60

8940 SLIDING GLASS DOOR

- Constructed with a heavy-duty aluminum interlock and weather resistant vinyl frame and panels
- Any configuration up to 8 panels
- Custom sizes available
- Available with an infinite number of tracks
- Screen Track: Inside (optional) — modular outer frame. Minimum 5 1/4" track depth without screen track. The unique inside screen track protects against damaging effects of coastal weather.
- Design pressures up to +/- 70 at 192" x 96"
- Single or double pocket configurations



- ✓ **Meets or exceeds all Energy Star® standards**
- ✓ **High design pressures**
- ✓ **Available with Low-E glass (270, 240, 366)**
 - 7/8" insulated glass with argon gas for ultraviolet and thermal protection
- ✓ **High performance Duraseal® spacer system**
 - Excellent thermal performance and energy efficiency
 - Keeps windows clearer longer
- ✓ **Maximum Natural Lighting**
 - Constructed to feature benefits of effortless cleaning and maximum natural lighting

- ✓ **Durability and Resistance from the elements**
 - Exterior-glazed, fusion welded frame and sash
 - Weather-stripped interlock with dual seal sash to frame, creates a positive seal keeping out harsh elements
 - Covered weep holes in sill control water penetration and drainage

- ✓ **Premium Roller - As Option ▶**
 - Choose from our standard size stainless steel roller system or premium roller option with larger wheels for even smoother operation.



Stainless Steel Roller



S.S. Premium Roller

FRAME COLORS



ChromaCote

Available in all of our ChromaCote veneer colors. Our bronze exterior color has a special UV cured technology that is 7 times harder than paint—making it the most durable applied coating available. ChromaCote available on 8900 and 8940 only.

HANDLES



GLASS COLORS



Also available: Clear, Bronze, Light Gray, Sun, Azurelite Blue



ARIASERIES
VINYL WINDOWS & DOORS



Your Custom Window System dealers are window and door professionals and are available to help you choose the best Aria products.

To find the dealer nearest you, call 1.800.327.3086 or visit our website www.CWS.cc



1900 SW 44TH AVENUE
OCALA, FL 34474
1.800.327.3086 • www.CWS.cc



All trademarks where denoted are marks of their respective owners. Registered Custom Window Systems, Inc. All rights reserved.